
 TI3255en	Product Information	
PDE2- Series (dP)	Air Differential Pressure Switch with ON/OFF output	

The PDE2- Series (dP) is designed to measure differential pressure in HVAC systems

The differential switch has an internal set point adjuster

Several Switching pressure range are available

The switch outputs are ON/OFF



Use	<p>Compatible to all common HVAC DDC and Analog Controls systems, with/without Building Automation System</p> <p>Used in all common HVAC applications</p> <p>Monitoring the air dampers in the primary or secondary controls systems</p> <p>Supervision of the status of heating / cooling coils, preventing overheating / freezing</p> <p>Monitoring of fans and fan belts</p>
------------	---

Features	<p>Sensor with control output 2-point (ON/OFF)</p> <p>Internal set point adjuster</p> <p>Long-term stability of the measuring elements</p> <p>Professional and practical product design, withstands rough environmental conditions</p> <p>Easy to use, install and maintain</p>
-----------------	---

Product Range	<table border="1" style="width: 100%; border-collapse: collapse;"> <thead> <tr> <th style="width: 15%;">Order Code</th> <th style="width: 15%;">Pressure Range</th> <th style="width: 10%;">Switching Differential</th> <th style="width: 10%;">Switching Point*</th> <th style="width: 15%;">Tolerances / Repeatability</th> <th style="width: 15%;">Switching Cycles</th> <th style="width: 10%;">IP- Rating</th> </tr> </thead> <tbody> <tr> <td>PDE2.NAb</td> <td>20...200Pa</td> <td>10Pa</td> <td>100Pa</td> <td rowspan="7" style="text-align: center; vertical-align: middle;">15% / 2%</td> <td rowspan="7" style="text-align: center; vertical-align: middle;">> 1.000.000</td> <td rowspan="7" style="text-align: center; vertical-align: middle;">IP54 to IEC60529</td> </tr> <tr> <td>PDE2.AAb</td> <td>30...300Pa</td> <td>10Pa</td> <td>150Pa</td> </tr> <tr> <td>PDE2.BAb</td> <td>50...500Pa</td> <td>20Pa</td> <td>250Pa</td> </tr> <tr> <td>PDE2.CAb</td> <td>200...1000Pa</td> <td>100Pa</td> <td>500Pa</td> </tr> <tr> <td>PDE2.DAb</td> <td>500...2500Pa</td> <td>150Pa</td> <td>1250Pa</td> </tr> <tr> <td>PDE2.EAb</td> <td>300...1500Pa</td> <td>100Pa</td> <td>750Pa</td> </tr> </tbody> </table> <p style="text-align: center; font-size: small;">*default value</p>	Order Code	Pressure Range	Switching Differential	Switching Point*	Tolerances / Repeatability	Switching Cycles	IP- Rating	PDE2.NAb	20...200Pa	10Pa	100Pa	15% / 2%	> 1.000.000	IP54 to IEC60529	PDE2.AAb	30...300Pa	10Pa	150Pa	PDE2.BAb	50...500Pa	20Pa	250Pa	PDE2.CAb	200...1000Pa	100Pa	500Pa	PDE2.DAb	500...2500Pa	150Pa	1250Pa	PDE2.EAb	300...1500Pa	100Pa	750Pa
Order Code	Pressure Range	Switching Differential	Switching Point*	Tolerances / Repeatability	Switching Cycles	IP- Rating																													
PDE2.NAb	20...200Pa	10Pa	100Pa	15% / 2%	> 1.000.000	IP54 to IEC60529																													
PDE2.AAb	30...300Pa	10Pa	150Pa																																
PDE2.BAb	50...500Pa	20Pa	250Pa																																
PDE2.CAb	200...1000Pa	100Pa	500Pa																																
PDE2.DAb	500...2500Pa	150Pa	1250Pa																																
PDE2.EAb	300...1500Pa	100Pa	750Pa																																

Sensor Specification	Sensor Specification	Measured	Differential Air Pressure		
		Sensor Characteristics	Passive		
		Sensor Output (s)	ON / OFF		
		Measuring Range (s)	See Product Range, Page 1		
		Default TOP Switching Point (s)	See Product Range, Page 1		
		Differential Gap	See Product Range, Page 1		
		Tolerances / Repeatability	15% / 2%		
		Max. Over Pressure	Max. 10kPa		
		Switching Cycles	> 1.000.000		
Technical Information	Mechanical Information	Connection Nozzle Dimension	Ø6mm		
		Sensing Element Position	Internal, bottom of the housing		
		Release Button	No button / Automatically		
		Housing Bottom	POM, grey		
		Cable Gland	ABS, grey		
		Gland Rubber Seal	Rubber, black		
		Protection Caps	Red ABS, RAL2002 (Vermilion)		
		Diaphragm	Silicone, emission free		
		Environmental Conditions	Operation Temperature	-40°C...+85°C	
	Operation Humidity		<85% r.h., no condensation		
	Transport Temperature		-35°C...+70°C		
	Transport Humidity		< 90% r.h.		
	Storage Temperature		-10°C...+70°C		
	Storage Humidity		< 85% r.h., no condensation		
	Norms and Directives		IP- Rating	IP54 to IEC60529	
		Safety Class	III to EN 60 730		
		Product Standard 1	Automatic Electric. Controls for household and similar use		
		Product Standard 2	2009/EN 60 730-1		
		CE Conformities to	2004/108/EG Electromagnetic Compatibility EMV		
		CE Electromagnetic Compatibility Emitted Interference	2000/EN60730-1 Emitted Interference		
		CE Electromagnetic Compatibility Interference Resistance	2000/EN60730-1 Interference Resistance		
		RoHS Compatibility	RoHS 2011/65/EC		
		Operation Climatic Condition	IEC 60 721-3-3		
		Operation Mechanical Condition	IEC 60 721-3-2 to class2M2		
		Transport to Climatic Condition	IEC 60 721-3-2		
		Transport Mechanical Condition	IEC 60 721-3-2 to class2M2		
		Storage Climatic Condition	IEC 60 721-3-1		
		Storage Mechanical Condition	IEC 60 721-3-1 to class2M2		
		Miscellanies	Accessories	Mounting Kit, Included in delivery	PUK0.A
			Shipping & Handling	Minimum Order	1 box with 1 piece
	Package Material			Rigid Cardboards	
	Order Notes		Order Code	See Product Range, Page 1, e.g. PDE2.NAb	

Installation Notes

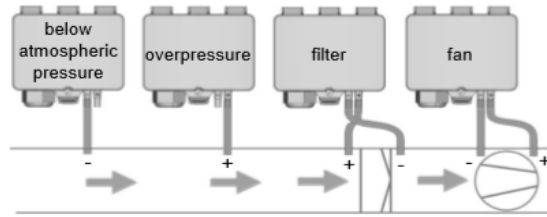


Observe the following general regulation for engineering and implementation:

- All relevant national and heavy power regulations
- Other country specific regulations
- Country-specific regulations
- Local electrical supply authority regulations
- Schematics, cable listings, dispositions, specification and arrangements from the customer or engineering office in charge
- Third party specifications, e.g. general contractors or constructors

Advices

Mounting Advices



Disposal Notes



The device is considered an electronic device for disposal in terms

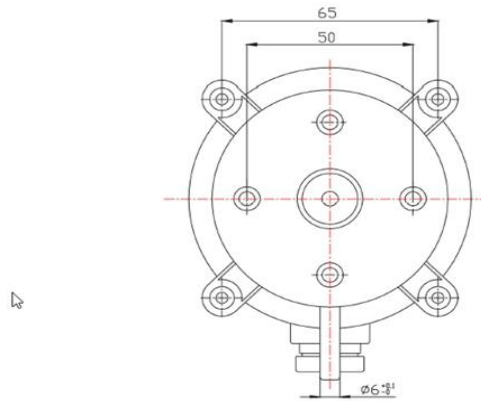
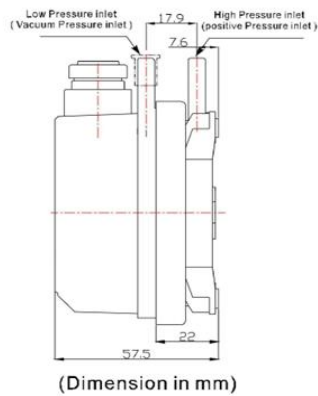
of the EUROPEAN DIRECTIVE 2012/19/EU.

The device may not be disposed as domestic garbage.

The device must be disposed through channels provided for this purpose.

It is mandatory to complying with local currently applying laws and regulations.

Dimensional Drawing



Connections

Terminals

T1	NC / Low Pressure
T2	NO / High Pressure
T3	Common

