
 TI4320en	Product Information	
PPE2- Series (dP)	Water Differential Pressure Switch	

The PPE2- Series (dP) is used to control the differential pressure in water pumps, plate heat exchangers, tube heat exchanger and shell heat exchanger

Multiple measuring ranges are available to cover all applications

The control output is ON-OFF



Use	<p>Compatible to all common HVAC DDC and Analog Controls systems</p> <p>Water differential pressure measurement in HVAC water systems</p> <p>Monitoring the differential pressure in HVAC systems</p> <p>Used in all common HVAC applications</p> <p>Used in Commercial and Industrial Buildings</p>
------------	--

Features	<p>Low voltage ON-OFF contact output</p> <p>Fixed single set point differential pressure control</p> <p>Pre-setting value cannot be changed</p> <p>Various pressure ranges with high precision and reliability</p> <p>Professional and practical product design, withstands rough environmental conditions</p> <p>Easy to use, install and maintain</p>
-----------------	---

Product Range	<table border="1" style="width: 100%; border-collapse: collapse;"> <thead> <tr> <th style="width: 15%;">Order Code</th> <th style="width: 15%;">Set Point</th> <th style="width: 15%;">Switching Differential</th> <th style="width: 15%;">Relay Rating</th> <th style="width: 10%;">IP-Rating</th> <th style="width: 15%;">Repeatability</th> <th style="width: 15%;">Medium Temperature Range</th> </tr> </thead> <tbody> <tr> <td>PPE2.AA</td> <td>0.1bar</td> <td>0.03bar</td> <td rowspan="7" style="text-align: center; vertical-align: middle;">SPDT micro-switch, 230V / 10A</td> <td rowspan="7" style="text-align: center; vertical-align: middle;">IP65 to IEC60529</td> <td rowspan="7" style="text-align: center; vertical-align: middle;">better than 1%</td> <td rowspan="7" style="text-align: center; vertical-align: middle;">-20°C...+93°C</td> </tr> <tr> <td>PPE2.BA</td> <td>0.2bar</td> <td>0.045bar</td> </tr> <tr> <td>PPE2.CA</td> <td>0.25bar</td> <td>0.05bar</td> </tr> <tr> <td>PPE2.DA</td> <td>0.3bar</td> <td>0.05bar</td> </tr> <tr> <td>PPE2.EA</td> <td>0.4bar</td> <td>0.08bar</td> </tr> <tr> <td>PPE2.FA</td> <td>0.05bar</td> <td>0.02bar</td> </tr> </tbody> </table>	Order Code	Set Point	Switching Differential	Relay Rating	IP-Rating	Repeatability	Medium Temperature Range	PPE2.AA	0.1bar	0.03bar	SPDT micro-switch, 230V / 10A	IP65 to IEC60529	better than 1%	-20°C...+93°C	PPE2.BA	0.2bar	0.045bar	PPE2.CA	0.25bar	0.05bar	PPE2.DA	0.3bar	0.05bar	PPE2.EA	0.4bar	0.08bar	PPE2.FA	0.05bar	0.02bar
Order Code	Set Point	Switching Differential	Relay Rating	IP-Rating	Repeatability	Medium Temperature Range																								
PPE2.AA	0.1bar	0.03bar	SPDT micro-switch, 230V / 10A	IP65 to IEC60529	better than 1%	-20°C...+93°C																								
PPE2.BA	0.2bar	0.045bar																												
PPE2.CA	0.25bar	0.05bar																												
PPE2.DA	0.3bar	0.05bar																												
PPE2.EA	0.4bar	0.08bar																												
PPE2.FA	0.05bar	0.02bar																												

Sensor Specification	Sensor Specification	Measured	Water Differential Pressure
		Sensor Characteristics	Passive
		Sensor Output (s)	SPDT micro-switch (NO/ NC)
		Measuring Range (s)	see Product Range, Page 1
		Differential Gap	See Product Range, Page 1
		Repeatability	±1%
		Max. Pressure Difference	Max. 5bar
		Max. Static Pressure	Max. 20bar
		Medium Temperature Range	-20...+93°C
		Measuring Range (s)	See Product Range, Page 1
Technical Information	Electrical Information	Terminal Clamp	Screw terminal, max. 2.5mm ²
		Relay Rating	AC 250V, max.10A
	Mechanical Information	Cable Length	1m
		Cable Diameter	2×0.75mm ² , 105°C resistance burning cable
		Cable Entry	M16, Ø6...Ø8mm cables
		Connection Type	G1/4", male thread
		Sensing Element Position	Inside the housing
		User Interface	Set Point Adjustments
	Color and Materials	Housing Cover	Black ABS, RAL 9017 (Traffic Black)
		Housing Bottom	Brass
		Diaphragm	EPDM
		Cable Gland	Black PP, RAL 9017 (Traffic Black)
	Environmental Conditions	0.02bar	-20°C...+85°C
		Operation Humidity	<85% r.h., no condensation
		0.05bar	-10°C...+70°C
		Transport Humidity	< 90% r.h.
		0.06bar	-10°C...+70°C
		Storage Humidity	< 85% r.h., no condensation
	Norms and Directives	0.07bar	IP65 to IEC60529
		Safety Class	III to EN 60 730
		Product Standard 1	Automatic Electric. Controls for household and similar use
		Product Standard 2	2009/EN 60 730-1
		0.002bar	2004/108/EG Electromagnetic Compatibility EMV
		CE Electromagnetic Compatibility Emitted Interference	2000/EN60730-1 Emitted Interference
		CE Electromagnetic Compatibility Interference Resistance	2000/EN60730-1 Interference Resistance
		RoHS Compatibility	RoHS 2011/65/EC
		Operation Climatic Condition	IEC 60 721-3-3
		Operation Mechanical Condition	IEC 60 721-3-2 to class2M2
		Transport to Climatic Condition	IEC 60 721-3-2
		Transport Mechanical Condition	IEC 60 721-3-2 to class2M2
Storage Climatic Condition	IEC 60 721-3-1		
Storage Mechanical Condition	IEC 60 721-3-1 to class2M2		
Miscellanies	Accessories	n.a.	
	Shipping & Handling	Minimum Order	1 box with 1 piece
		Package Material	Rigid Cardboards Packaging
	Order Notes	Order Code	See Product Range, Page 1, e.g. PPE2.AA

All Information and technical data are subject to alteration

Installation Notes

Observe the following general regulation for engineering and implementation:



All relevant national and heavy power regulations

Other country specific regulations

Country-specific regulations

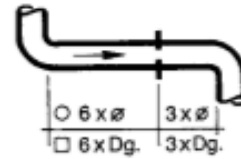
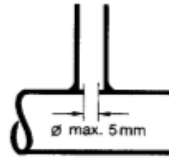
Local electrical supply authority regulation

Schematics, cable listings, dispositions, specification and arrangements from the customer or engineering office in charge

Third party specifications, e.g. general contractors or constructors

Advices

Mounting Advices



Disposal Notes

The device is considered an electronic device for disposal in terms of the EUROPEAN DIRECTIVE 2012/19/EU.

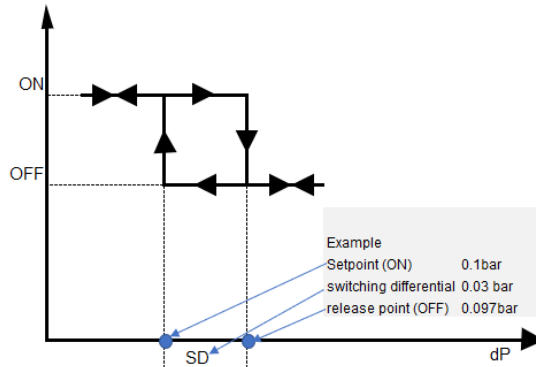
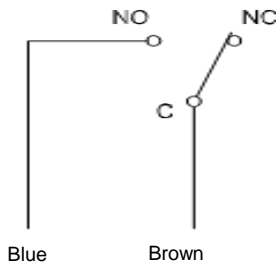


The device may not be disposed as domestic garbage.

The device must be disposed through channels provided for this purpose.

It is mandatory to complying with local currently applying laws and regulations.

Connections - Switching points



Dimensional Drawing

